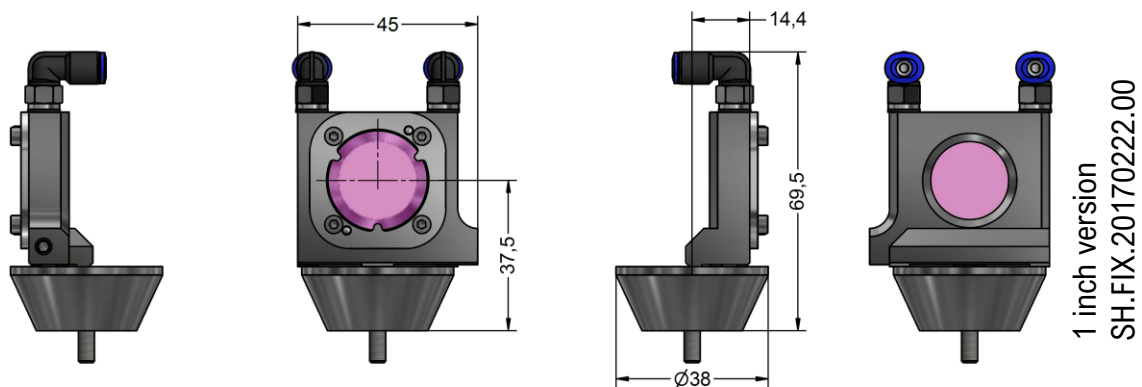


Fixed Mirror Mount



- ▶ machined from premium stainless steel

Optic Retention

- ▶ all mounts are equipped with a bore allowing standard sized optical components to be secured in the mount. The optics are mounted with one stainless steel wave-spring (with three supports) and a solid three point support.
- ▶ 25.7 / 28.3 / 50.2 mm bore
for mounting 1" / 1.5" / 2" optics with 6.35 / 6.35 / 9.5 mm thickness, respectively

Water Cooling

- ▶ the mounts are cooled via M5 threaded water tube connectors; the standard size of the tube connectors allows acceptance of 4 mm (or upon request 6 mm) outer diameter tubes.

Post Mounting

- ▶ D+G mirror mounts are equipped with (M4) counterbores for post mounting; depending on the post being used (post not included in delivery), the minimum beam height is 50 mm for the 1" and 1.5" version and 60 mm for 2" version.
- ▶ vacuum compatibility mounts are optionally available; please contact D+G.



contact • Dausinger + Giesen GmbH
Rotebühlstrasse 87
70178 Stuttgart
Germany

phone • +49 (0)711 907060-550
fax • +49 (0)711 907060-99
email • info@dausinger-giesen.de
internet • www.dausinger-giesen.de