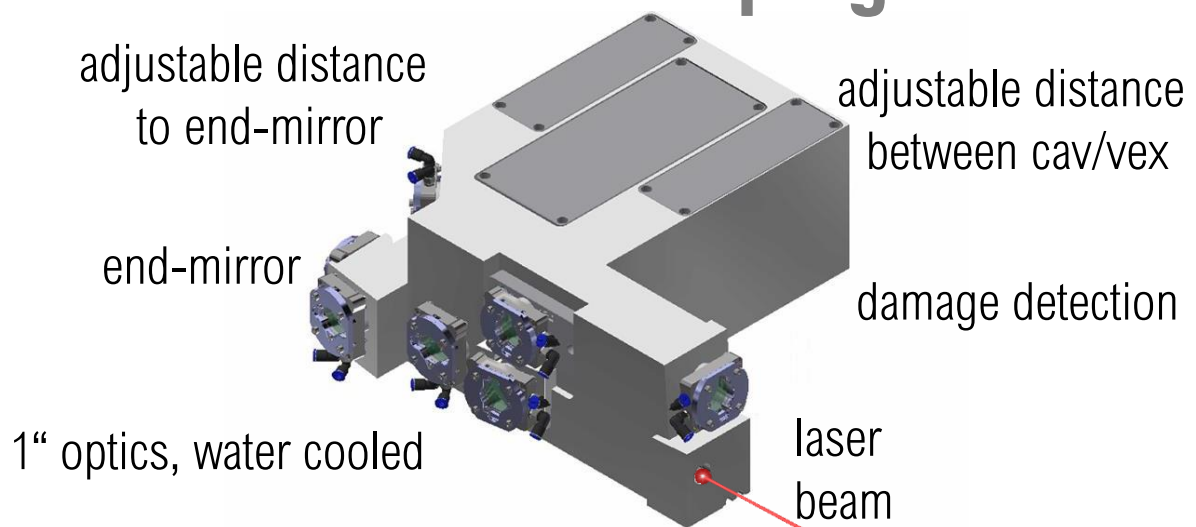


Resonator - Beam Shaping Module



- ▶ high power 1" optics for 1030 nm (delivery with optics, other wavelengths upon request)
- ▶ completely **enclosed resonator arm**, allowing controlled air-flow along beam path to end-mirror
- ▶ **mini-clean room environment**: overpressure prevents dust from entering
- ▶ all **optics exchangeable** & can be aligned from „outside“, pre-aligned
- ▶ **retroreflectors** for easy adjusting resonator to diffractive power of thin disk
- ▶ no cable and tubes in beam area
- ▶ water cooled, **shaking test during FAT**
- ▶ **sensors**: damage detection of optics + NTC + SHT21
- ▶ basic **self status check**, interface via **CAN BUS**



contact • Dausinger + Giesen GmbH
 Rotebühlstrasse 87
 70178 Stuttgart
 Germany

phone • +49 (0)711 907060-550
 fax • +49 (0)711 907060-99
 email • info@dausinger-giesen.de
 internet • www.dausinger-giesen.de

