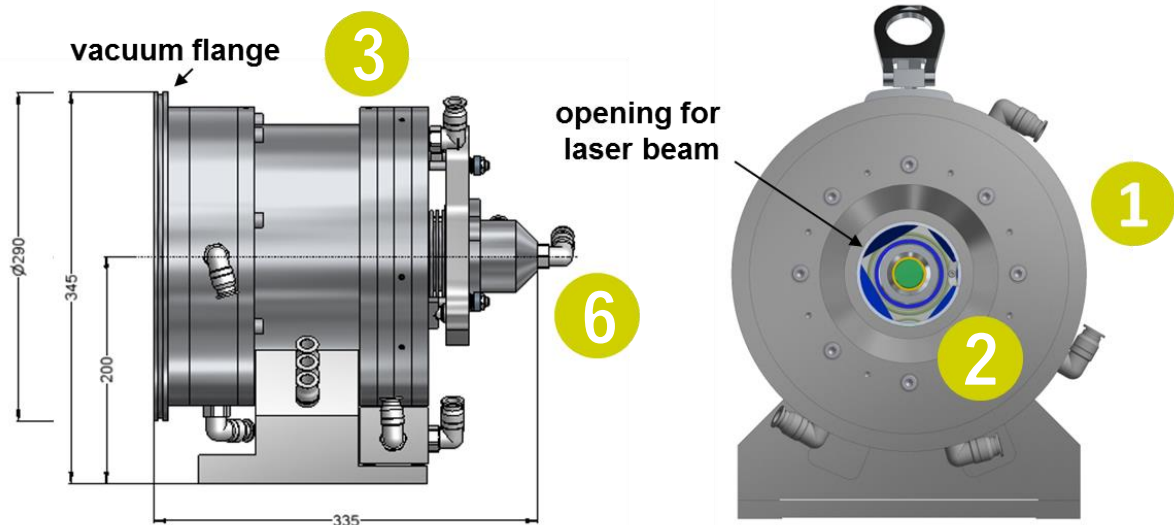


Thin Disk Pump Optics – TDM 30



- 1 pump optics^{a)} for thin disk laser media with a pump spot diameter of up to ≈ 20 mm
- 2 vacuum-sealed pump chamber^{b)} for 24 (optionally 48) passes of pump light through disk
maximum allowable **pump power** 30 kW (so far tested with 13 kW)
- 3 water cooled **frame and optics**, cooling channels in stainless steel for DI water
- 4 **coupling unit** for up to 3 (upon request) high power fibers (e.g. HIGHYAG) (not shown)
- 5 water cooled, astigmatism-compensated and exchangeable **collimation optics** (not shown)
- 6 water cooled and adjustable (angle and position) **disk holder**

a) please check our website for dimensions (incl. STEP file)

b) patents EP 1 252 687 & EP 1 103 090, co-inventor Dr. Giesen, licenced to D+G

 **DAUSINGER+**
GIESEN GMBH

contact • Dausinger + Giesen GmbH
Rotebühlstrasse 87
70178 Stuttgart
Germany

phone • +49 (0)711 907060-550
fax • +49 (0)711 907060-99
email • info@dausinger-giesen.de
internet • www.dausinger-giesen.de

