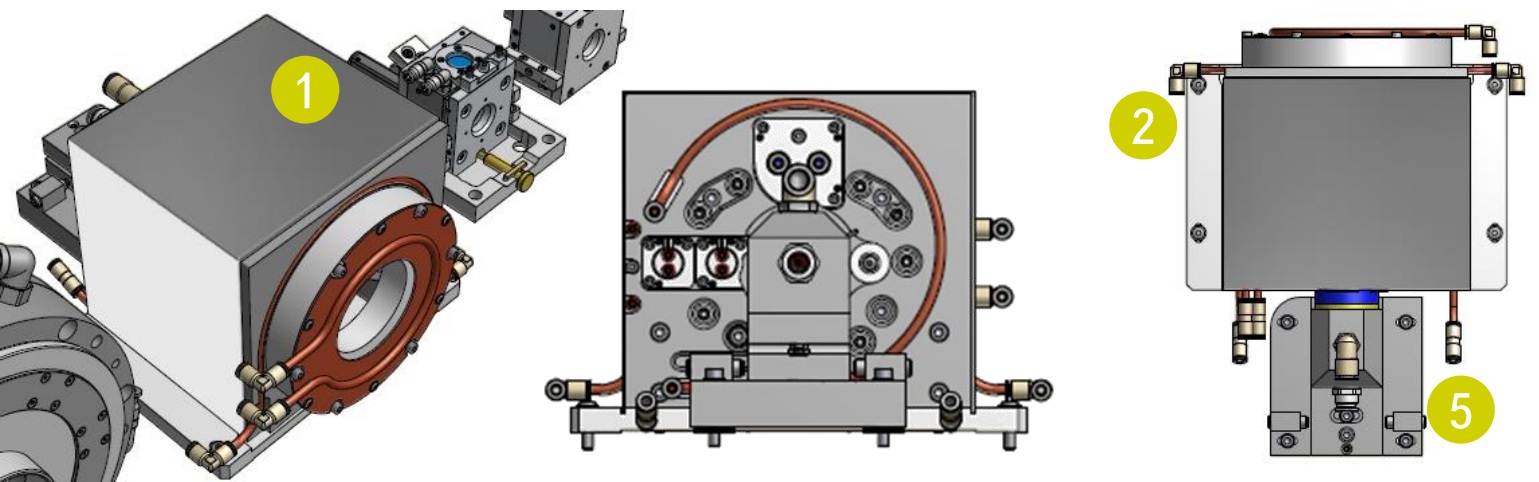


# Thin Disk Pump Optics – TDM 10



- 1 **pump optics<sup>a)</sup>** for thin disk laser media with a pump spot diameter of up to  $\approx 20$  mm  
pump chamber<sup>b)</sup> for **24 passes (optionally 48)** of pump light through disk  
maximum allowable **pump power** 10 kW
- 2 water cooled **frame and optics (optionally vacuum-sealed)**
- 3 **coupling unit** for up to 3 (**upon request**) high power fibers (e.g. HIGHYAG) (not shown)
- 4 water cooled, astigmatism-compensated and exchangeable **collimation optics** (not shown)
- 5 water cooled and adjustable (angle and position) **disk holder**

a) please check our website for dimensions (incl. STEP file)

b) patents EP 1 252 687 & EP 1 103 090, co-inventor Dr. Giesen, licenced to D+G

**D+G** DAUSINGER+  
GIESEN GMBH

contact • Dausinger + Giesen GmbH  
Rotebühlstrasse 87  
70178 Stuttgart  
Germany

phone • +49 (0)711 907060-550  
fax • +49 (0)711 907060-99  
email • info@dausinger-giesen.de  
internet • www.dausinger-giesen.de

