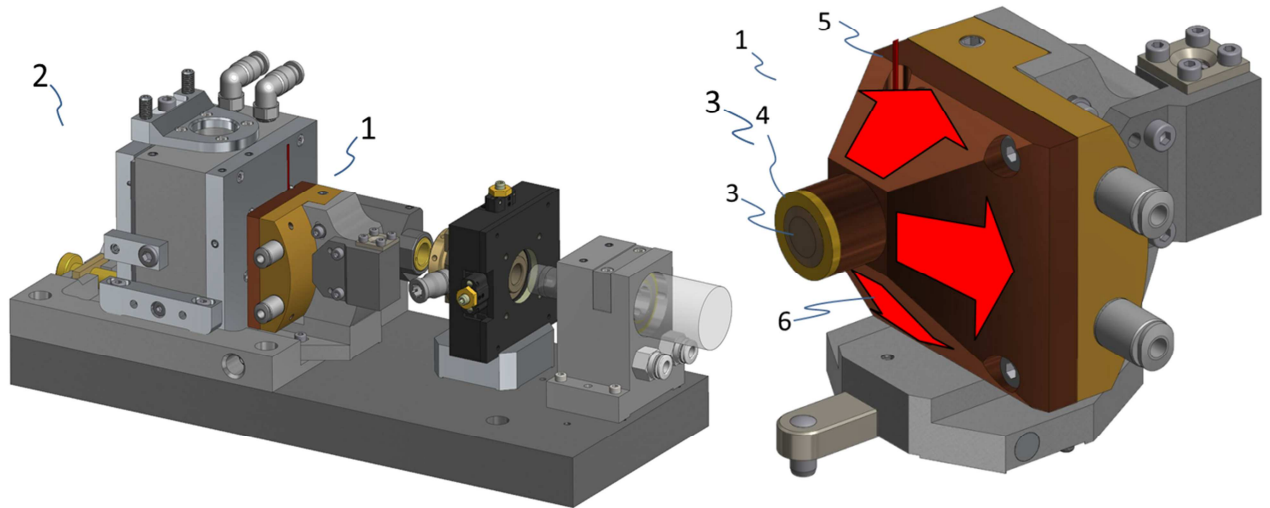


Disk Module TDM 1.0 Lab - Silent Disk



Our latest development in thin disk cooling technology (1), can now be ordered in combination with our TDM 1.0 Lab modules (2):

TDM 1.0 Lab - Silent Disk

Whereas the usual way of cooling the thin disk (3) is done by utilizing a shower like water stream directed onto the back side of the thin disk carrier (4), the D+G silent disk cooling technology (1) uses a solid cooling block (5), made of e.g. copper, with a large cross-section in a direction parallel to the thin disk for spreading (6) the heat flow into a large volume.

Thereby, it is possible to utilize cooling geometries, that introduce a minimum amount of vibrations (e.g. by use of a virtually complete laminar water flow) onto the thin disk. This kind of system is especially useful for low noise laser operation. For more information and/or a quote please contact D+G.



contact • Dausinger + Giesen GmbH
Rotebühlstrasse 87
70178 Stuttgart
Germany

phone • +49 (0)711 907060-550
fax • +49 (0)711 907060-99
email • info@dausinger-giesen.de
internet • www.dausinger-giesen.de