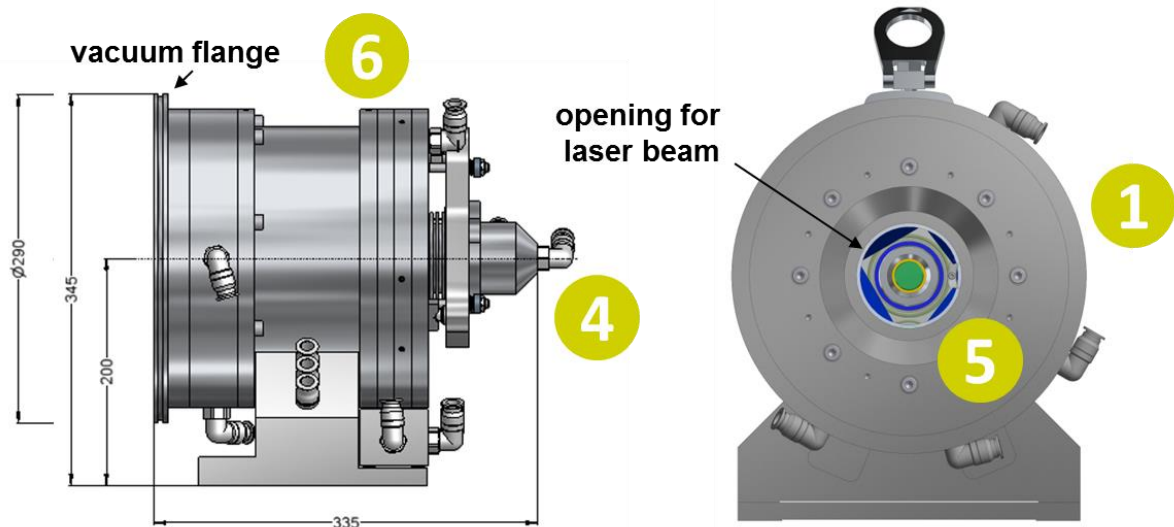


Thin Disk Pump Optics – TDM 30



- 1 thin disk pump optics for laser disks with a pump spot diameter of up to ≈ 20 mm
- 2 coupling unit for up to 3 (**upon request**) high power fibers (e.g. HIGHYAG) (not shown)
- 3 water cooled, astigmatism-compensated and exchangeable **collimation optics** (not shown)
- 4 water cooled and adjustable (angle and position) **disk holder**
- 5 water cooled **frame and optics**, cooling channels in stainless steel for DI water
- 6 vacuum-sealed pump chamber* for **24 passes (optionally 48)** of pump light through disk
- 7 maximum allowable **pump power** of 30 kW (so far tested with 13 kW)
- 8 made of **stainless steel** for use with DI water

*patents EP 1 252 687 & EP 1 103 090, co-inventor Dr. Giesen, licenced to D+G



contact • Dausinger + Giesen GmbH
 Rotebühlstrasse 87
 70178 Stuttgart
 Germany

phone • +49 (0)711 907060-550
 fax • +49 (0)711 907060-99
 email • info@dausinger-giesen.de
 internet • www.dausinger-giesen.de



