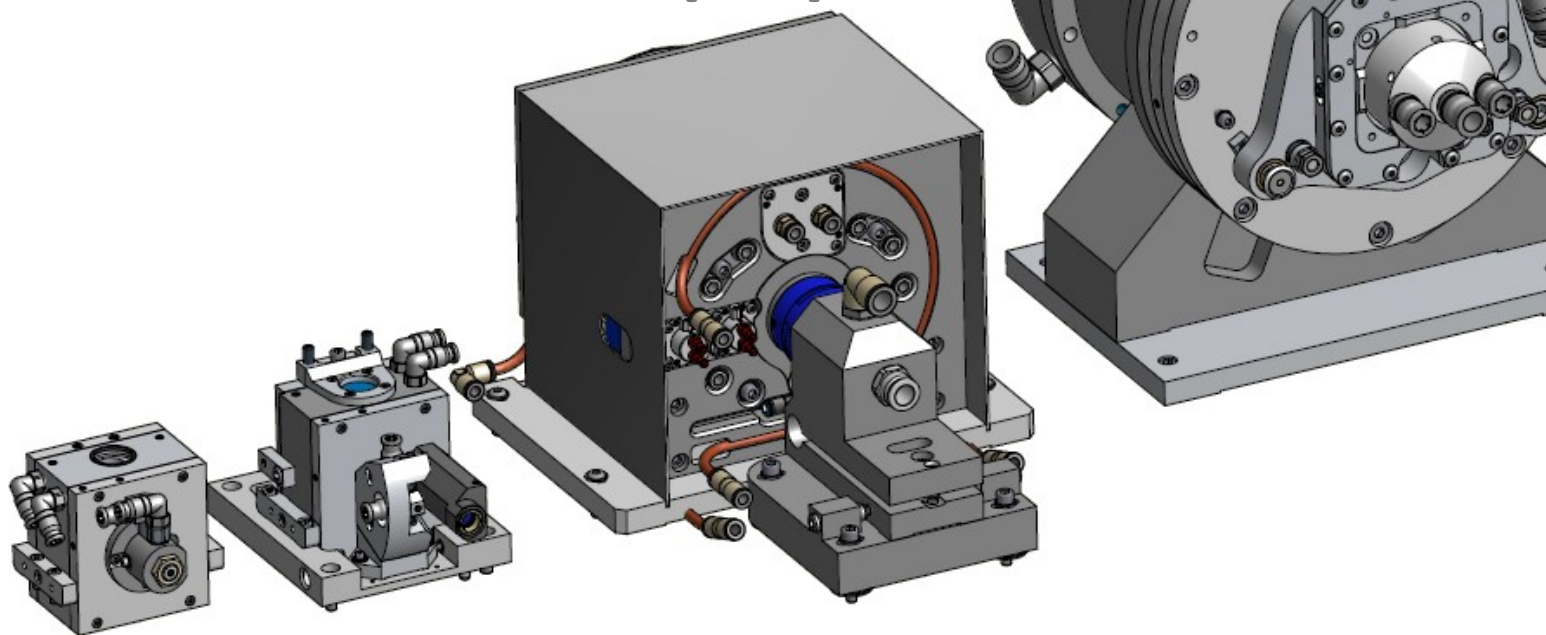


Thin Disk Pump Optics – TDM 10



- 1 thin disk pump optics for laser disks with a **pump spot diameter of up to ≈ 20 mm**
- 2 **coupling unit** for up to 3 (**upon request**) high power fibers (e.g. HIGHYAG) (not shown)
- 3 water cooled, astigmatism-compensated and exchangeable **collimation optics** (not shown)
- 4 water cooled and adjustable (angle and position) **disk holder**
- 5 water cooled **frame and optics**, cooling channels in stainless steel for DI water
- 6 vacuum-sealed pump chamber* for **24 passes (optionally 48)** of pump light through disk
- 7 maximum allowable **pump power** of 10 kW (prototype TDM will be tested soon)

*patents EP 1 252 687 & EP 1 103 090, co-inventor **Dr. Giesen**, licenced to D+G

D+G DAUSINGER+
GIESEN GMBH

contact • Dausinger + Giesen GmbH
Rotebühlstrasse 87
70178 Stuttgart
Germany

phone • +49 (0)711 907060-550
fax • +49 (0)711 907060-99
email • info@dausinger-giesen.de
internet • www.dausinger-giesen.de

